

MARINE DIESEL ENGINES

PLEASURE-CRAFT POWER

6CX-GTE2
368kW (500hp)

YANMAR

A Powerful New Force in Motorboating

- Featuring Yanmar's latest lightweight engine construction technology in a compact package, this power plant exhibits superb fuel efficiency and a power-to-weight ratio that makes possible a higher top speed and a longer cruising range using the same fuel tank.
- The increased horsepower in this straight 6 cylinder engine is obtained from a longer stroke, along with a more aggressive turbo/intercooler and tune settings. It also features 4 valves per cylinder and an extra high pressure fuel injection system.
- Dimensions of 905mm(35.63 in.) high and 824mm(32.44 in.) wide, and with only 825kg(1815 lbs.) of engine weight makes for a power installation that is lightweight indeed.
- We expect the smooth power, together with the flat torque characteristics and low fuel consumption figures of the 6CX-GTE2 will make it an outstanding choice for any fast boat. This engine is set to become the "world power plant" for the motor boat enthusiast.



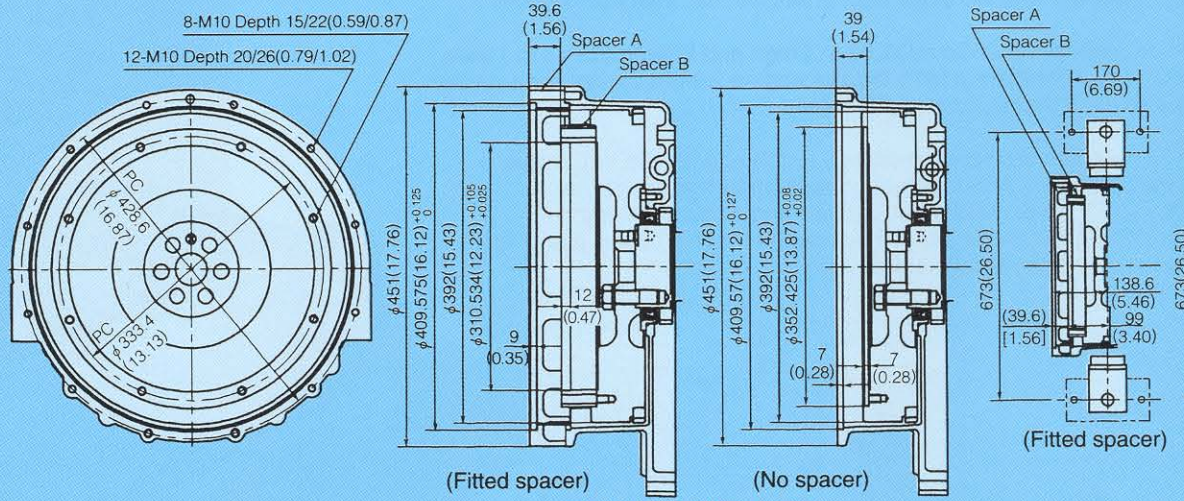
Photo may show optional equipment

SPECIFICATIONS

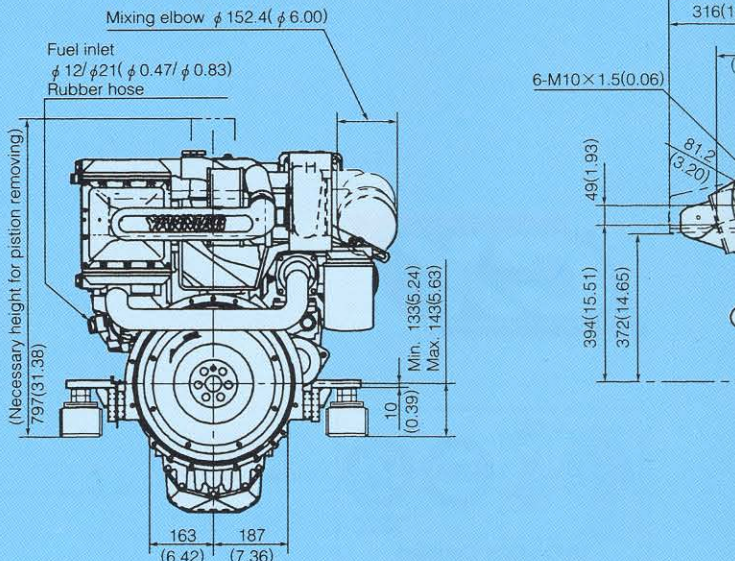
Model	6CX-GTE2	
Configuration	4-stroke, vertical, water cooled diesel engine	
Number of cylinders	6 in-line	
Bore x Stroke	mm (in.)	100 X 130 (4.33 X 5.12)
Displacement	lit. (cu. in.)	7.413 (452)
Continuous output at flywheel	kW/rpm (hp/rpm)	323/2800 (440/2800)
Maximum output at flywheel	kW/rpm (hp/rpm)	368/2900 (500/2900)
Combustion system	Direct injection	
Aspiration	Turbocharged with intercooler	
Starting System	Electric starting (D.C. 12V, 4.8kW starting motor/12V, 55A alt)	
Cooling System	Fresh water cooling by centrifugal fresh water pump and rubber impeller	
Direction of rotation	Counterclockwise viewed from flywheel	
Dry Weight	kg (lbs)	825 (1815)

Rating condition: ISO 3046/1 [Note]: 1hp= 0.7355kW
 Conditions for engine performance: density of fuel: 0.86g/cm³ at 15°C. Temperature of fuel: 25°C at FO pump inlet.

DIMENSIONS Unit: mm(in.)

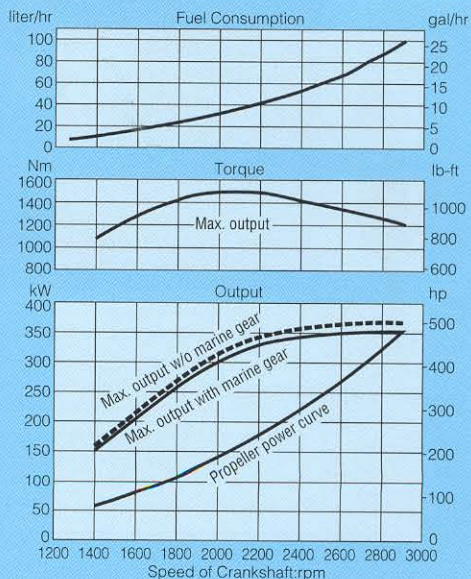


Detail of flywheel



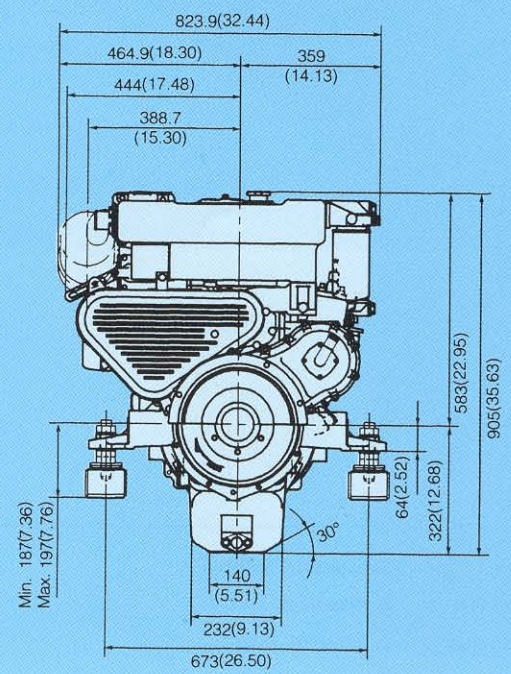
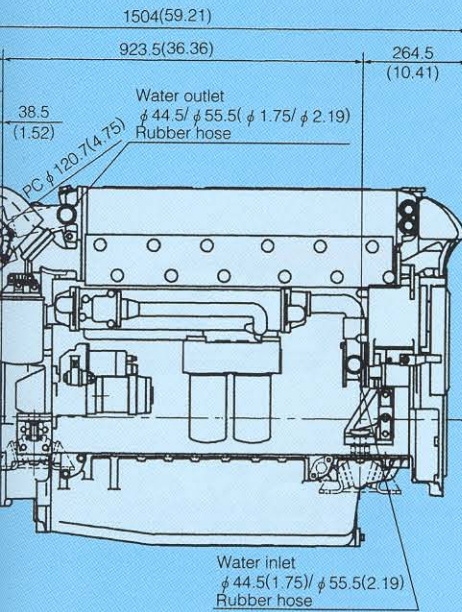
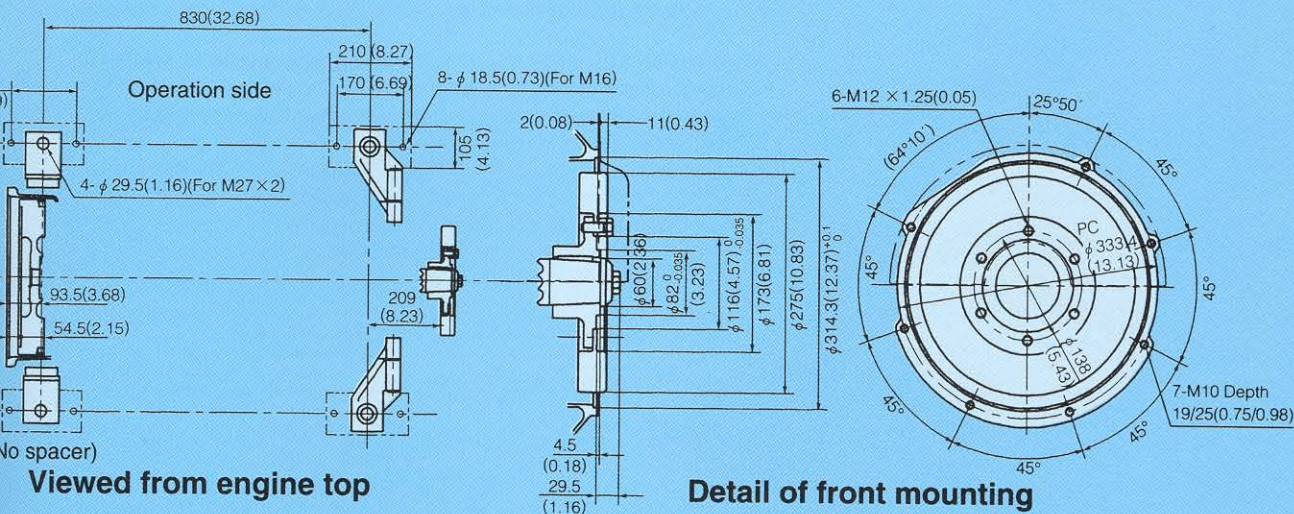
Note:
 1. Dwg. shows mounting blocks at compressed height.
 [compressed by approx. 3mm(0.12)]
 2. Coupling and front mounting are out of scale.

PERFORMANCE CURVES 6CX-GTE2



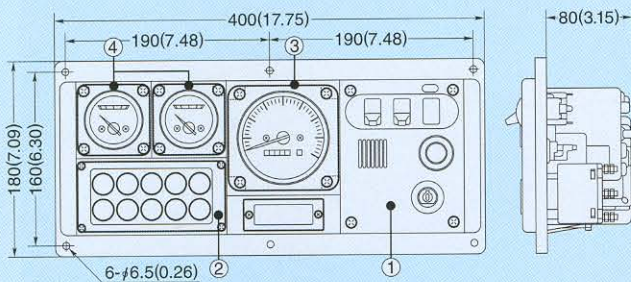
NOTE: Above data are measured at crankshaft and show the average performance as tested at our laboratory.

tor)
r seawater pump

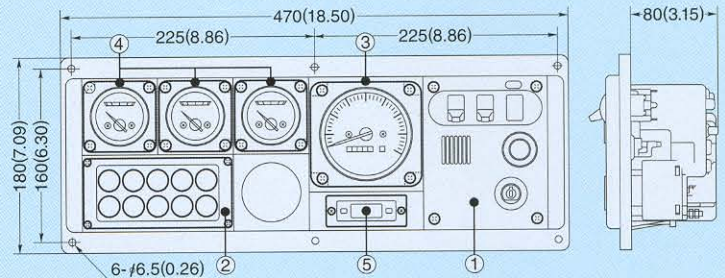


INSTRUMENT PANELS

		New C-type	New D-type
①	Switch	Key switch (Starter switch)	●
		Engine stop switch	●
		Alarm buzzer (C.W. temp., L.O. pressure)	●
		Alarm buzzer stop switch	●
		Illumination switch for meters	●
②	Alarm lamp unit	Battery not charging	●
		C.W. high temperature	●
		L.O. low pressure	●
		Boost pressure high (for 4LHA-STE)	●
③	Tachometer	Tachometer with hour meter	●
		L.O. pressure meter	●
④	Sub meter unit	C.W. temperature meter	●
		Boost meter (Turbo)	—
⑤	Clock unit	Quartz clock	—



New C-type



New D-type

Note: All data subject to alteration without notice.

YANMAR DIESEL AMERICA CORP. 901 Corporate Grove Drive, Buffalo Grove, IL 60089

YANMAR EUROPE B.V. Brugplein 11 1332 BS Almere-de Vaart, The Netherlands

YANMAR DIESEL ENGINE CO., LTD. 1-2, 2-chome, Yaesu, Chuo-ku, Tokyo 104, Japan

www.yanmar.com

60A6CX2-5/01 10M Printed in USA