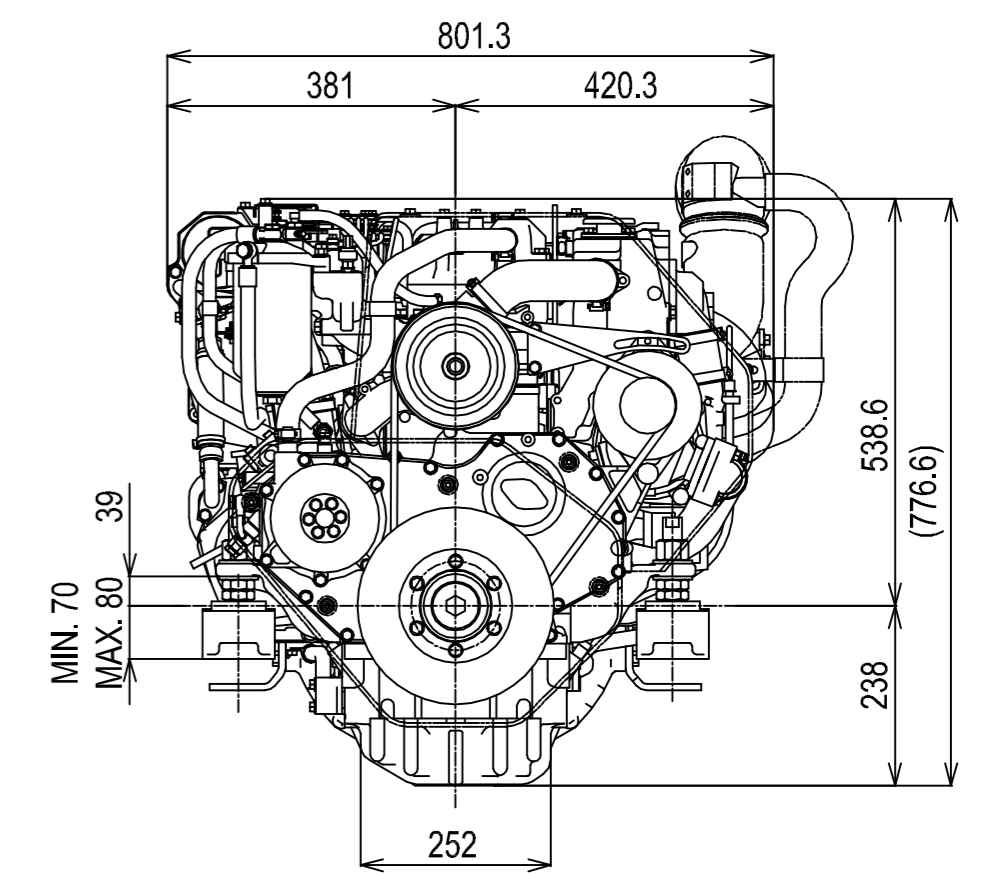
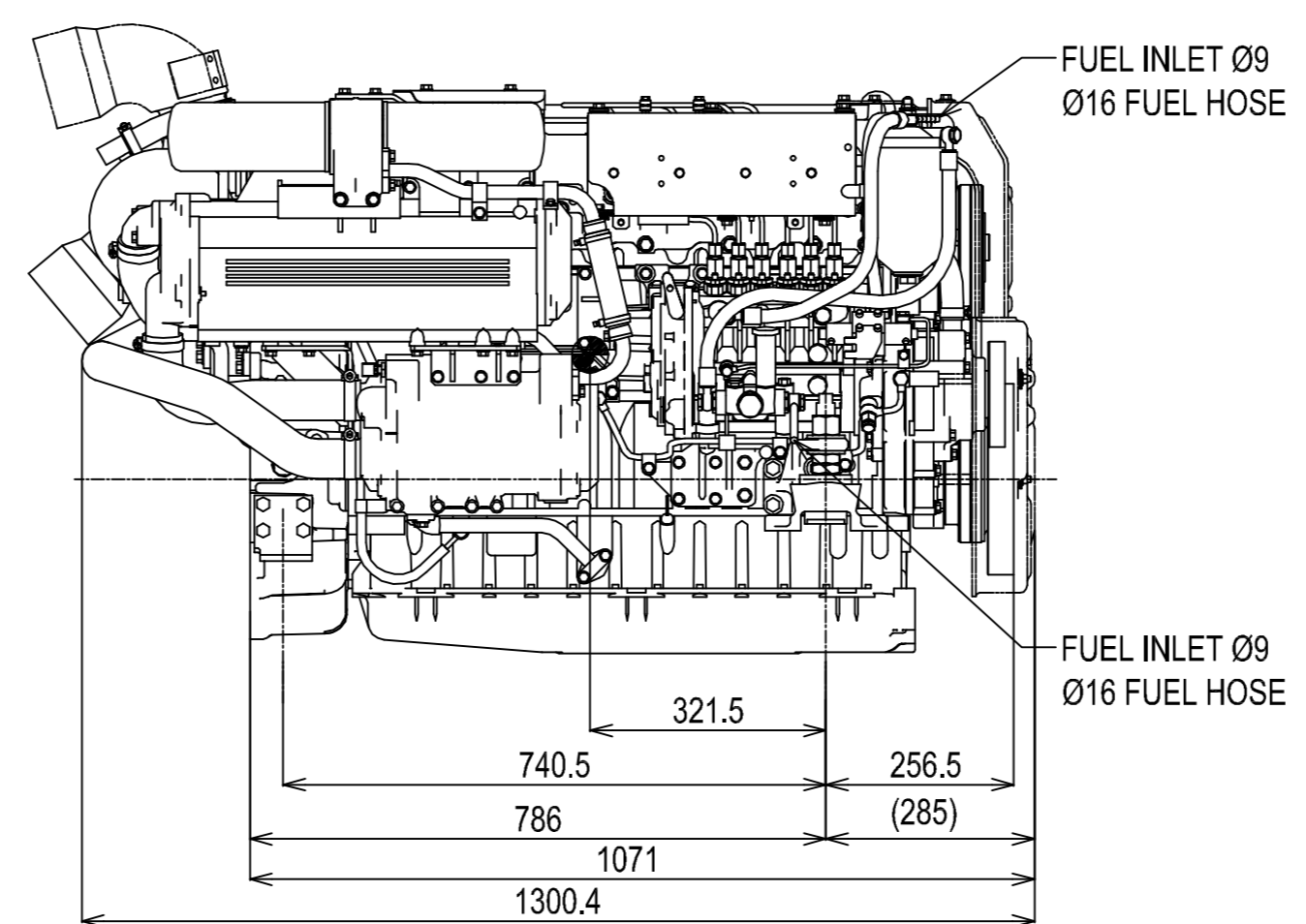
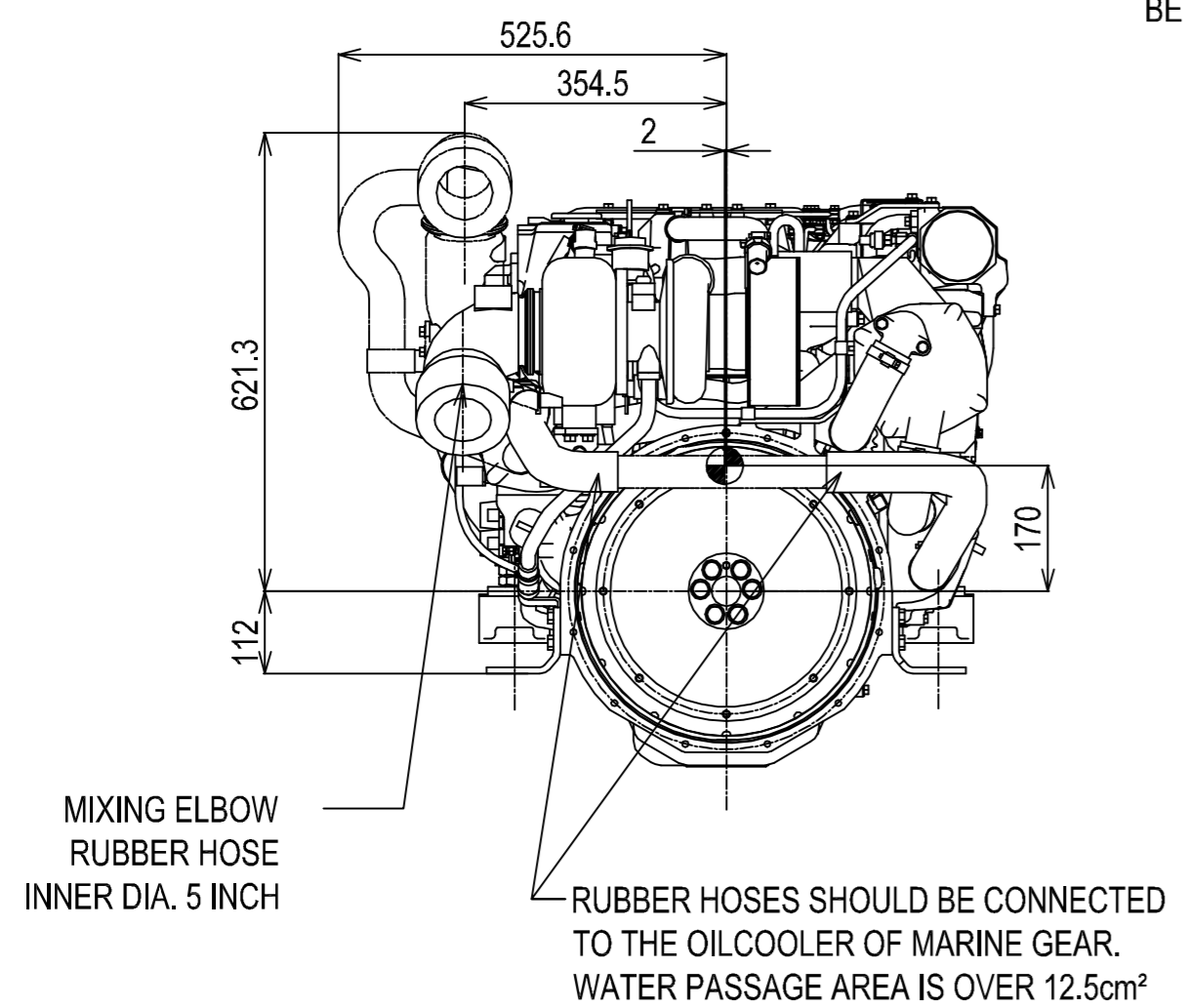
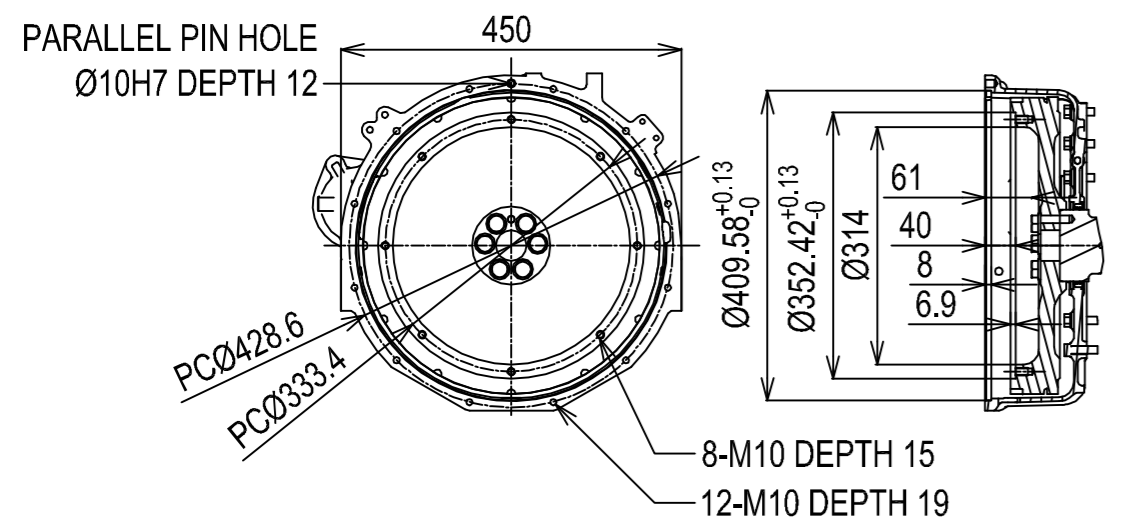


RISER MIXING ELBOW(OPTION)  
- V-BAND TYPE AT EXHAUST INLET.  
- ALLOWABLE INSTALLATION ANGLE IS BETWEEN 30° TO 65°

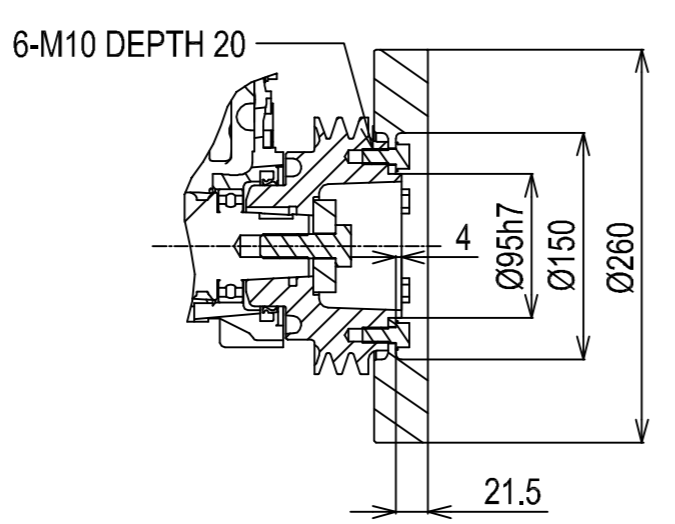


DETAIL OF MOUNTING BLOCK

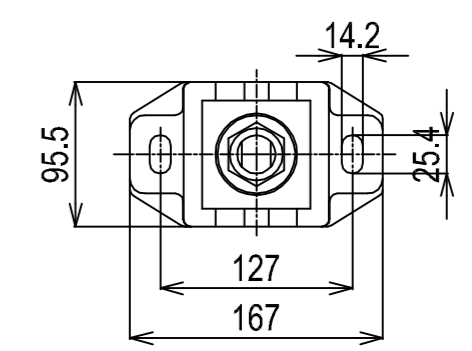
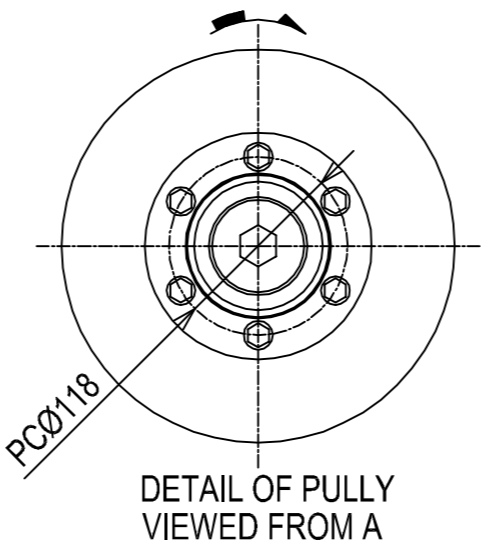
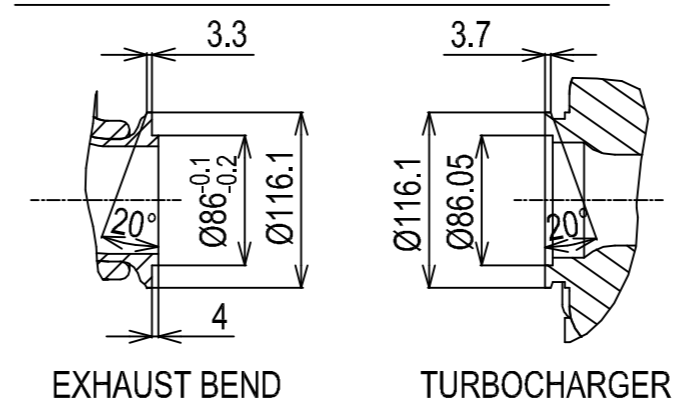
DETAIL OF FLYWHEEL



DIRECTION OF ROTATION



DETAIL OF TURBINE OUTLET



NOTE:

1. DWG. SHOWS MOUNTING BLOCKS AT ORIGINAL HEIGHT. ENGINE WEIGHT WILL COMPRESS BLOCKS BY 4MM (APPROX).
2. MOUNTING BLOCKS ARE EQUIPPED FOR STANDARD ACCESSORY.
3. ● SHOWS THE CENTER OF GRAVITY.
4. FOR ADDITIONAL INSTALLATION INFORMATION AND SPECIFICATIONS PLEASE REFER TO THE YANMAR ENGINE INSTALLATION MANUAL

Series: LY3	Engine: 6LY3A-UTPxBOBTAIL	Release: R2008-01
Scale: 1:10	Date: 30-12-08	Dimensions: mm

